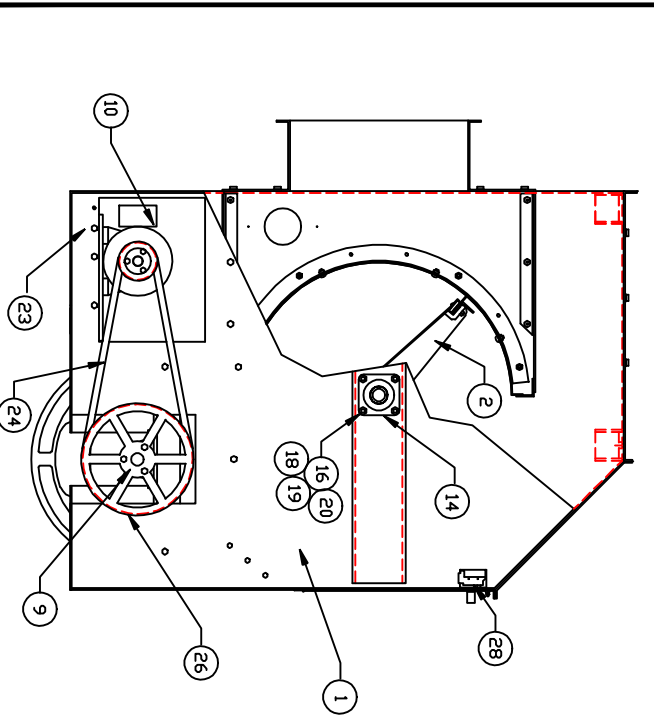
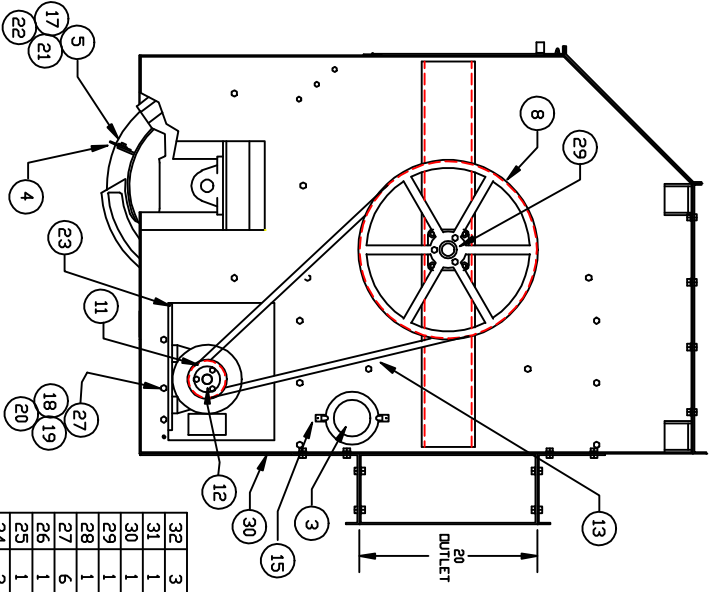
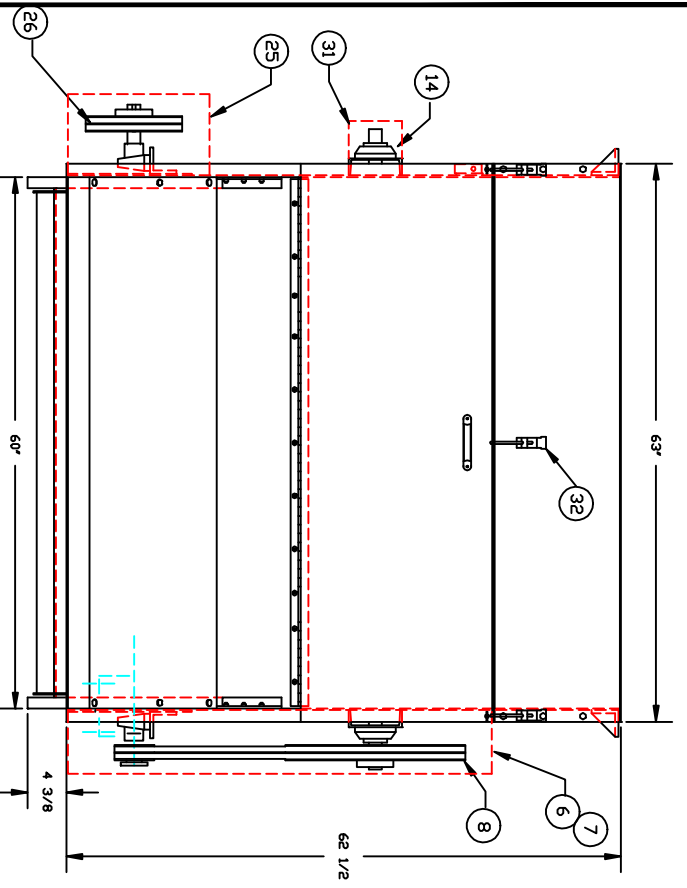


PART NO. AS3000004
REV.



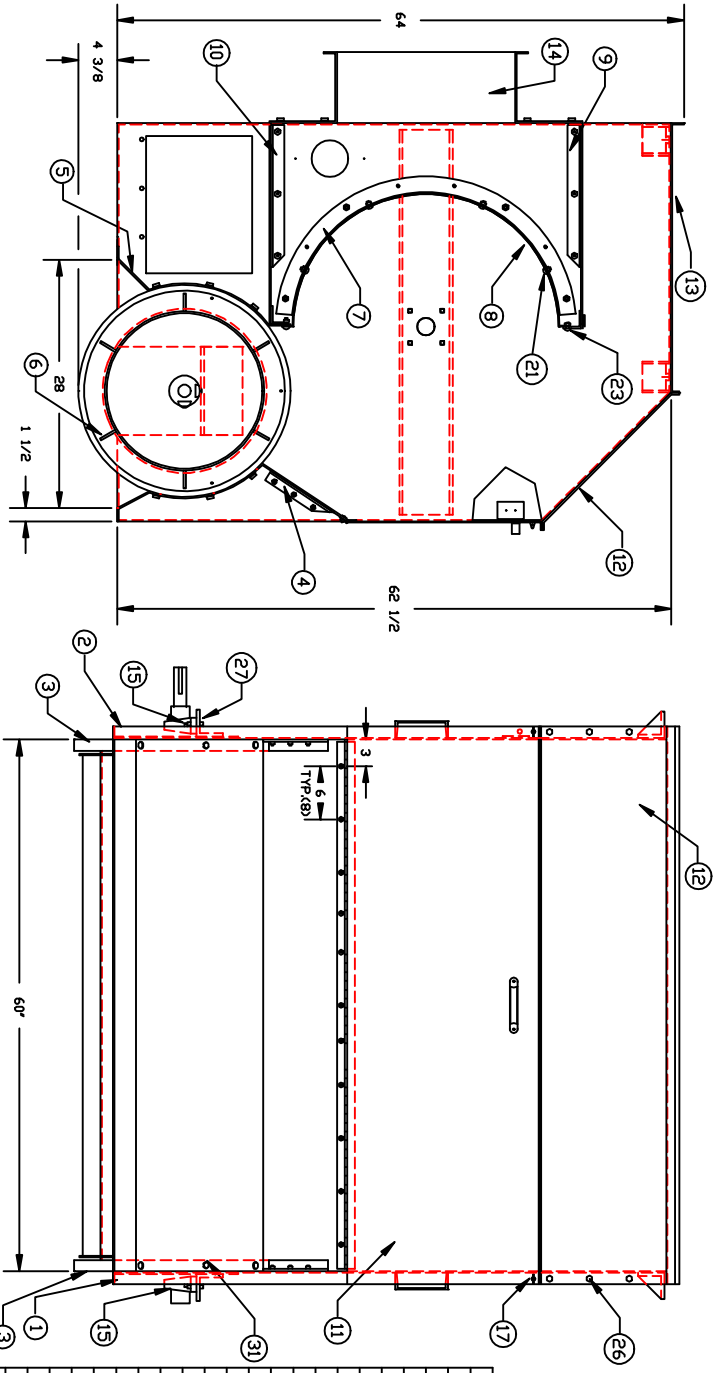
ITEM	QTY	REGR.	PART NO.	DESCRIPTION
32	3		P35000116	LATCH A1-11-702-20
31	1		S53000338	BEARING SHAFT GUARD
30	1		F53000301	FRONT MOTOR COVER
29	1		P20000040	Ø1 1 7/16 BORE
28	1		P15016076	BZE6-2RG MICRO SW.
27	6		P38400612	3/8-16X3/4 HH. BOLT
26	1		P19000016	2B124 SHEAVE
25	1		S53000190	MOTOR GUARD
24	2		P15000041	BELT B-67
23	1		S53000298	MOTOR BASE ASS'Y
22	36		P38620004	1/4 LOCK WASHER
21	36		P38600004	1/4 FLAT WASHER
20	16		P38680416	3/8-16 NUT
19	16		P38620006	3/8 LOCK WASHER
18	16		P38600006	3/8 FLAT WASHER
17	36		P38400410	1/4-20X 5/8 HH. BOLT
16	8		P38040556	3/8-16X3 1/2 CARR. BOLT
15	4		P35000042	SPRING FASTENER
14	2		P16000039	PCJN - 1 7/16 BEARING
13	2		P15000059	BELT B-97
12	2		P20000013	P1-1 1/8 BUSHING
11	2		P19000066	2TB4.2 SHEAVE
10	2		P22000137	MOTOR 2 HP.1200RPM/460V
9	1		P20000054	2S17 1 7/16 BUSHING
8	1		P19000085	2TB20.0 SHEAVE
7	1		F53000135	DRIVE GUARD COVER
6	1		F53000134	DRIVE GUARD
5	6		F52000365	BLADE RETAINER
4	6		F53000246	NEPRENE BLADE
3	2		P50000175	6" PLEXIGLASS COVER
2	1		S53000247	FLAT DIFFER ASS'Y
1	1		S53000244	D-130 SUB. ASS'Y

FILE	TOLERANCES UNLESS OTHERWISE SPECIFIED	MTL	
DATE	FRACTIONAL & DECIMALS		
REV. BY	ANGLE		
DATE	1:1		
REV. BY	RA		
DATE	6-3-92		

FIBER CONTROLS
FIBER OPTIC DISTRIBUTOR
PART NO. AS3000004

NAME: D-130 X 60" DISTRIBUTOR
PART NO. AS3000004

LETTER REVISION REV. BY DATE



ITEM	QTY	PART NO.	DESCRIPTION
34	2	P38600004	1/4 B.S. FLAT WASHER
33	-	---	---
32	2	P38400408	1/4-20X1/2 HH. BOLT
31	18	P38400612	3/8-16X3/4 HH. BOLT
30	4	P38600008	1/2 FLAT WASHER
29	4	P38620008	1/2 LOCK WASHER
28	4	P38500813	1/2-13 HEX NUT
27	4	P38400832	1/2-13X2 HH. BOLT
26	66	P38400412	1/4-20X3/4 HH. CAP SCE.
25	78	P38500420	1/4-20 HEX NUT
24	32	P38870412	1/4 B.S. LOCK WASHER
23	36	P38580420	1/4-20 LOCK NUT
22	15	P38870408	1/4-20X1/2 BUT. HD. SCR.
21	8	P38500616	3/8-16 LOCK NUT
20	24	P38620006	3/8 LOCK WASHER
19	8	P38870616	3/8-16X1 BUT. HD. SCR.
18	2	P38470420	1/4-20 WING NUT
17	-	---	---
16	2	P16000054	BEARING RAK 1 7/16
15	2	F53000118	BAFFEL END PIECE
14	1	F53000235	TOP COVER
13	1	F53000240	FRONT TOP COVER ASS'Y
12	1	F53000238	DOOR ASSEMBLY
11	1	F53000236	INLET COVER ASS'Y
10	1	F53000104	INT. SCREEN CHECK
9	1	F53000241	EXTERNAL DIFFER ASS'Y
8	1	F53000230	EXTERNAL DIFFER COVER
7	1	F53000226	EXTERNAL DIFFER SLIDE
6	1	P53000176	EXTERNAL DIFFER HEAD
5	1	S53000175	L.H. SIDE PANEL ASS'Y
4	1	S53000175	R.H. SIDE PANEL ASS'Y

FIBER CONTROLS
FIBER OPTIC SENSORS CORPORATION
P.O. BOX 2800
ROSELAND, N.J. 07068

FILE: TOLERANCES UNLESS OTHERWISE SPECIFIED
FRACTIONAL & DECIMAL: 1:10
DIMENSIONS: RCL
DATE: 6-1-92

WTL: FRESH

MOCH: D-130
PART NO.: S53000244

LETTER	REVISION	REV. BY	DATE