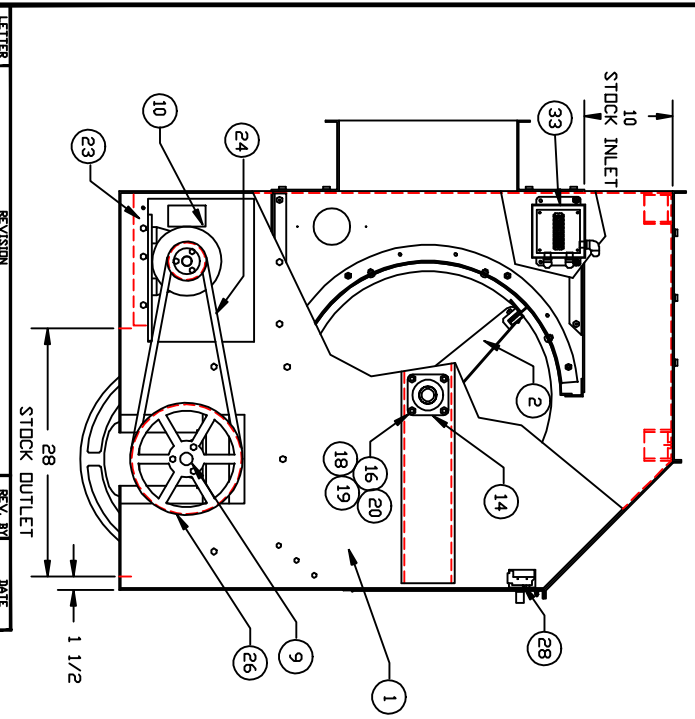


ITEM	REQ'D.	PART NO.	DESCRIPTION
33	1	SS3000361	JUNCTION BDX
32	2	P35000116	LATCH AT-11-702-20
31	1	SS5000338	BEARING/SHAFT GUARD
30	1	F53000295	FRONT MOTOR COVER
29	1	P20000040	Ø1 7/16 BORE
28	1	P15016076	BZE6-2RG MICRO SW.
27	6	P38400612	3/8-16X3/4 HH. BOLT
26	1	P19000016	2B124 SHEAVE
25	1	SS3000190	MOTOR GUARD
24	2	P15000041	BELT B-67
23	1	SS3000294	MOTOR BASE ASS'Y
22	36	P38620004	1/4 LOCK WASHER
21	36	P38600004	1/4 FLAT WASHER
20	16	P38680016	3/8-16 NUT
19	16	P38620006	3/8 LOCK WASHER
18	16	P38600006	3/8 FLAT WASHER
17	36	P384000410	1/4-20X 5/8 HH. BOLT
16	8	P3804056	3/8-16X3 1/2 CARR. BOLT
15	4	P35000042	SPRING FASTENER
14	2	P16000039	PCJN - 1 7/16 BEARING
13	2	P15000059	BELT B-97
12	2	P20000013	P1-1 1/8 BUSHING
11	2	P19000066	2TB4.2 SHEAVE
10	2	P20000137	MOTOR 2 HP.1800RPM/460V
9	1	P20000054	2S17 1 7/16 BUSHING
8	1	P19000085	2TB20.0 SHEAVE
7	1	F53000135	DRIVE GUARD COVER
6	1	F53000134	DRIVE GUARD
5	6	F52000153	BLADE RETAINER
4	6	F52000190	NEPRENE BLADE
3	2	P50000175	6" PLEXIGLASS COVER
2	1	SS3000305	FLAT DIFFER ASS'Y
1	1	SS3000217	D-130 SUB. ASS'Y



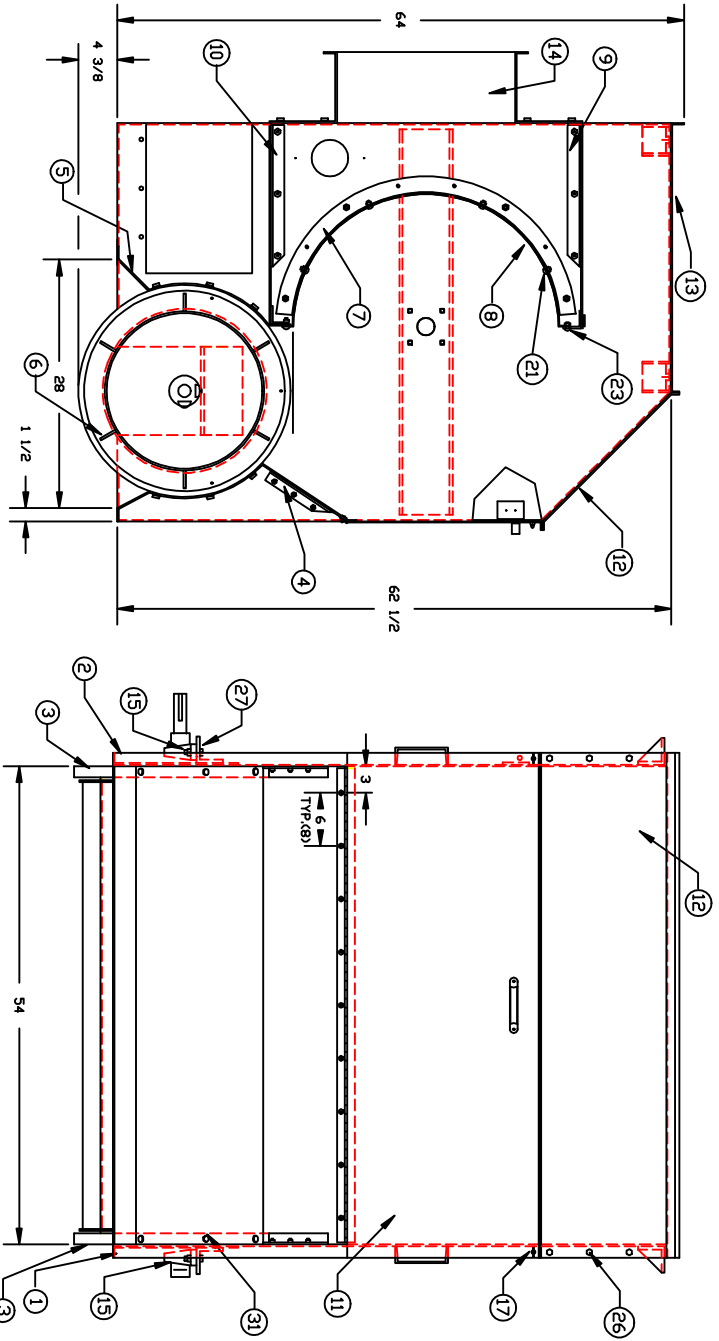
FILE	TOLERANCES UNLESS OTHERWISE SPECIFIED	MTL	
DATE	FRACTIONAL & DECIMAL	FINISH	
DRW	FRACTIONAL & DECIMAL		
APP	SCALE 1=1		
DES	DESIGNED BY RCL		
CHK	CHECKED BY		
APP	DATE 2-23-94		
COL			

**FIBER CONTROLS**  
FIBER OPTICS CORPORATION  
P.O. BOX 289  
GROTON, CT 06340

NAME: D-130 X 54'  
DIST. W/ SHRUDD DUFFER  
PART NO. AS3000007

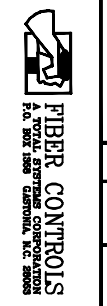
LETTER REVISION REV BY DATE

PART NO.  
SS3000217  
REV.



ITEM	QTY	PART NO.	DESCRIPTION
34	2	P38600004	1/4 B.S. FLAT WASHER
33	-	---	---
32	2	P38400408	1/4-20X1/2 HH. BOLT
31	18	P38400612	3/8-16X3/4 HH. BOLT
30	4	P38600008	1/2 FLAT WASHER
29	4	P38620008	1/2 LOCK WASHER
28	4	P38500813	1/2-13 HEX NUT
27	4	P38400832	1/2-13X2 HH. BOLT
26	66	P38400412	1/4-20X3/4 HH. CAP SCE.
25	78	P38500420	1/4-20 HEX NUT
24	78	96200004	1/4 B.S. LOCK WASHER
23	32	P38870412	1/4-20X3/4 BUT. HD. SCR.
22	36	P38580420	1/4-20 LOCK NUT
21	15	P38870408	1/4-20X1/2 BUT. HD. SCR.
20	8	P38500616	3/8-16 LOCK NUT
19	24	P38620006	3/8 LOCK WASHER
18	8	P38870616	3/8-16X1 BUT. HD. SCR.
17	2	P38470420	1/4-20 WING NUT
16	-	---	---
15	2	P16000054	BEARING RAK 1 7/16
14	2	F53000118	BAFFEL END PIECE
13	1	F53000210	TOP COVER
12	1	SS3000215	FRONT TOP COVER ASS'Y
11	1	SS3000211	DOOR ASSEMBLY
10	1	SS3000220	OUTLET COVER ASS'Y
9	1	SS3000208	INLET COVER ASS'Y
8	1	F53000207	DIFFER SCREEN
7	2	F53000104	INT. SCREEN CHEEK
6	1	SS3000195	EXTERNAL DIFFER ASS'Y
5	1	F53000203	EXTERNAL DIFFER COVER
4	1	SS3000204	EXTERNAL DIFFER SLIDE
3	2	P53000148	EXTERNAL DIFFER HEAD
2	1	SS3000176	L.H. SIDE PANEL ASS'Y
1	1	SS3000175	R.H. SIDE PANEL ASS'Y

FILE	TOLERANCES UNLESS OTHERWISE SPECIFIED
DATE	FRACTIONAL & DECIMAL
APP.	MINIMUM & SCALE 1:1.0
DES.	DRAWN BY RCL
CHK.	DATE 6-1-92



NAME	D-130
SUB.	SUB. ASS'Y 54'
MOCK	D-130
REV.	SS3000217

LETTER REVISION REV. BY DATE