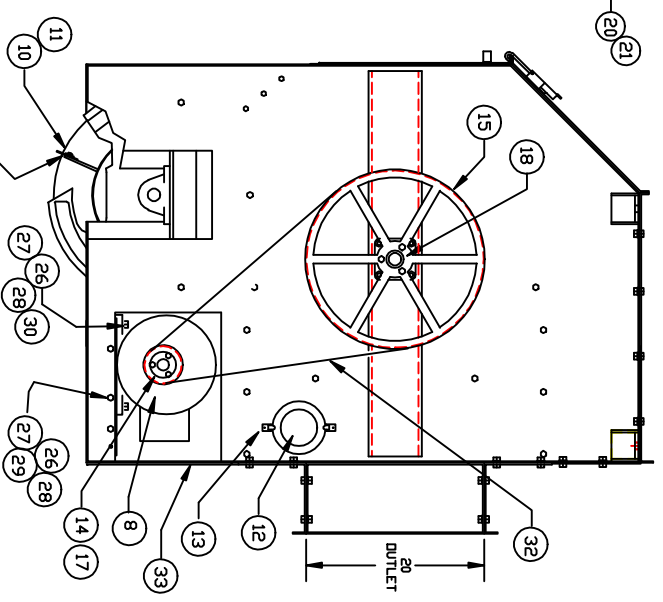
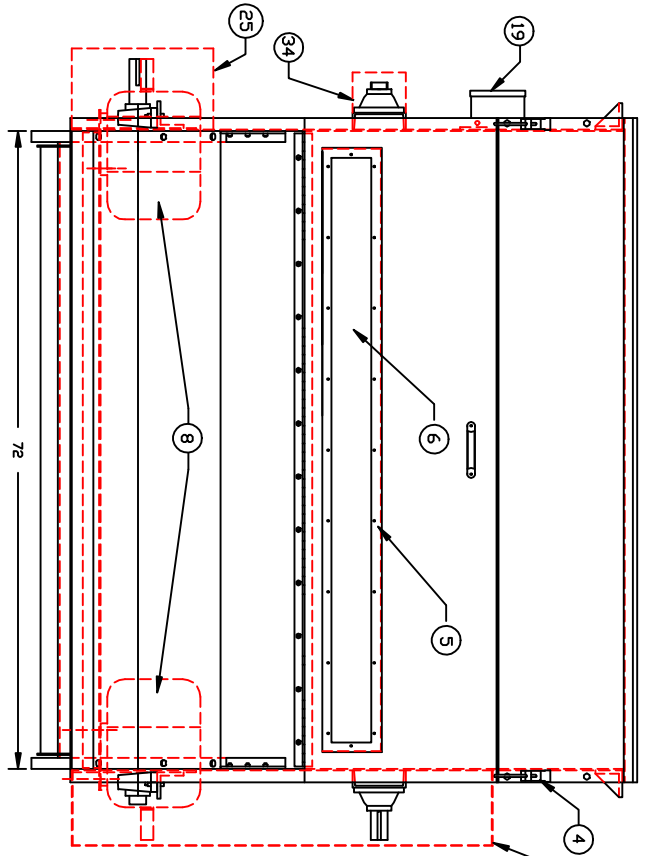
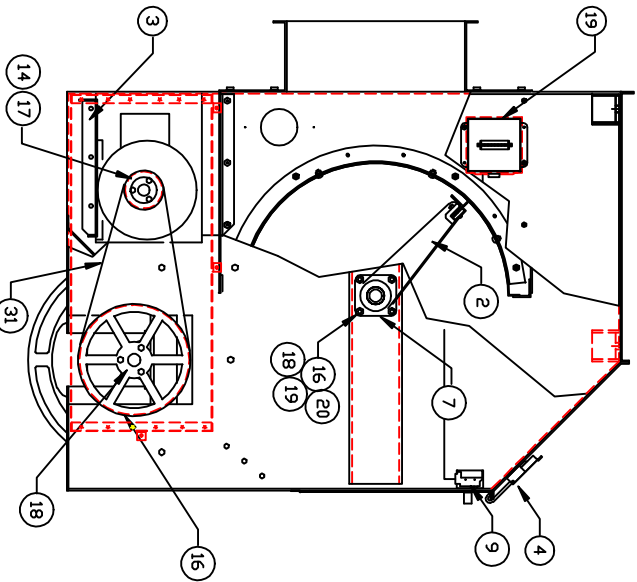


PART NO.
A5300009
REV.



NOTE: USE 5-16X3/4 LG
BUTTON HEAD ALLEN SCREWS
(ØB1)

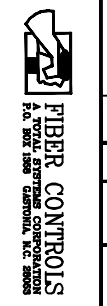


ITEM	RECD.	PART NO.	DESCRIPTION
38			
37			
36			
35			
34	1	F53000338	BEARING COVER
33	1	F53000362	FRONT MOTOR COVER
32	2	P15000058	B-95 BELT
31	2	P15000124	B-63 BELT
30	16	P38400624	3/8-16X1 1/2 H.H. BOLT
29	6	P38400612	3/8-16X3/4 H.H. BOLT
28	16	P38680416	3/8-16 NUT
27	16	P38620006	3/8 LOCK WASHER
26	16	P38600006	3/8 FLAT WASHER

ITEM	RECD.	PART NO.	DESCRIPTION
25	1	S53000190	MOTOR GUARD
24	36	P38400410	1/4-20X 5/8 H.H. BOLT
23	36	P38620004	1/4 LOCK WASHER
22	36	P38600004	1/4 FLAT WASHER
21	1	F53000135	DRIVE GUARD COVER
20	1	-----134	DRIVE GUARD
19	1	S53000361	JUNCTION BOX
18	2	P20000045	Ø 1 15/16 BUSHING
17	2	P20000016	P 1 3/8 BUSHING
16	1	P19000081	Ø 1 3/8 SHEAVE
15	1	P19000085	Ø 1 3/8 SHEAVE
14	2	P19000066	Ø 1 3/8 SHEAVE
13	4	P35000042	SPRING FASTENER
12	2	P50000175	6" PLEXIGLASS COVER
11	6	F53000360	BLADE RETAINER
10	6	F53000359	NEOPRENE BLADE
9	1	PUS016076	BZE6 2RD SWITCH
8	2	P22000073	3HPØ1200RPM MOTOR 575
7	2	P16000072	3HPØ1200RPM MOTOR 440
6	1	P16000060	RØ 1 15/16 BEARING
5	1	P53000358	3/8" LEXAN WINDOW
4	2	F53000357	WINDOW FRAME
3	1	P35000016	LATCH AI-11-702-20
2	1	S53000355	MOTOR MOUNT ASSY
1	1	S53000320	FLAT DIFFER ASSY
1	1	S53000318	HVD130 SUB ASSY

FILE	
DATE	
APP.	
CHK.	
DATE	

TOLERANCES UNLESS OTHERWISE SPECIFIED	
FRACTIONS & DECIMALS	1=1.0
ANGLE	
BRAND BY	RCL
DATE	9-15-94



FIBER CONTROLS
A DIVISION OF
FIBER OPTICS CORPORATION
P.O. BOX 289
GROTON, CT 06340

NAME	HVD-130 X 72
SUB. ASSY	72"
MOQ	HVD-130
PART NO.	A53000009

LETTER	
REVISION	
REV. BY	
DATE	

