

ITEM	QTY	PART NO.	DESCRIPTION
40	1	HDV027059	3/8 SEAL TITE CONN. 90
39	4	HDV027051	3/8 SEAL TITE CONN.
38	1	HDV027090	CONDULET COVER
37	1	HDV027060	1/2" CONDULET TEE
36	1	F53000384	WINDOW FRAME
35	1	P53000385	WINDOW
34	1	CDN080154	BS-20mm S R
33	1	S53000383	HYD-130 W/S.S. BOX
32	1	PUS016273	S.T.I. SWITCH TDRS2-RH
31	1	F53000338	BEARING SHAFT GUARD
30	1	F53000300	FRONT MOTOR COVER
29	2	P35000116	LATCH A1-11-702-20
28	1	PUS016076	BZE6-28G MICRO SW.
27	6	P38400612	3/8-16X3/4 HH. BOLT
26	1	P19000081	2TB124 SHEAVE
25	1	S53000190	MOTOR GUARD
24	2	P15000041	BELT B-67
23	1	S53000299	MOTOR BASE ASS'Y
22	36	P38620004	1/4 LOCK WASHER
21	36	P38600004	1/4 FLAT WASHER
20	16	P38680016	3/8-16 NUT
19	16	P38620006	3/8 LOCK WASHER
18	36	P386400410	1/4-20X 5/8 HH. BOLT
17	36	P38600006	3/8 FLAT WASHER
16	8	P38040556	3/8-16X3 1/2 CARR. BOLT
15	4	P35000042	SPRING FASTNER
14	2	P16000060	RCJ 1 15/16 BEARING
13	2	P15000059	BELT B-97
12	2	P20000013	P1-1 1/8 BUSHING
11	2	P19000066	2TB4.2 SHEAVE
10	2	P22000137	MOTOR 2 HP.1200RPM/460V
9	2	P20000045	Ø 1 15/16 BUSHING
8	1	P19000085	2TB20.0 SHEAVE
7	1	F53000135	DRIVE GUARD COVER
6	1	F53000134	DRIVE GUARD
5	6	F52000152	BLADE RETAINER
4	6	F53000161	NEPRENE BLADE
3	2	P50000175	6" PLEXIGLASS COVER
2	1	S53000377	FLAT DIFFER ASS'Y
1	1	S53000369	D-130 SUB. ASS'Y

LETTER	REVISION	REV BY	DATE

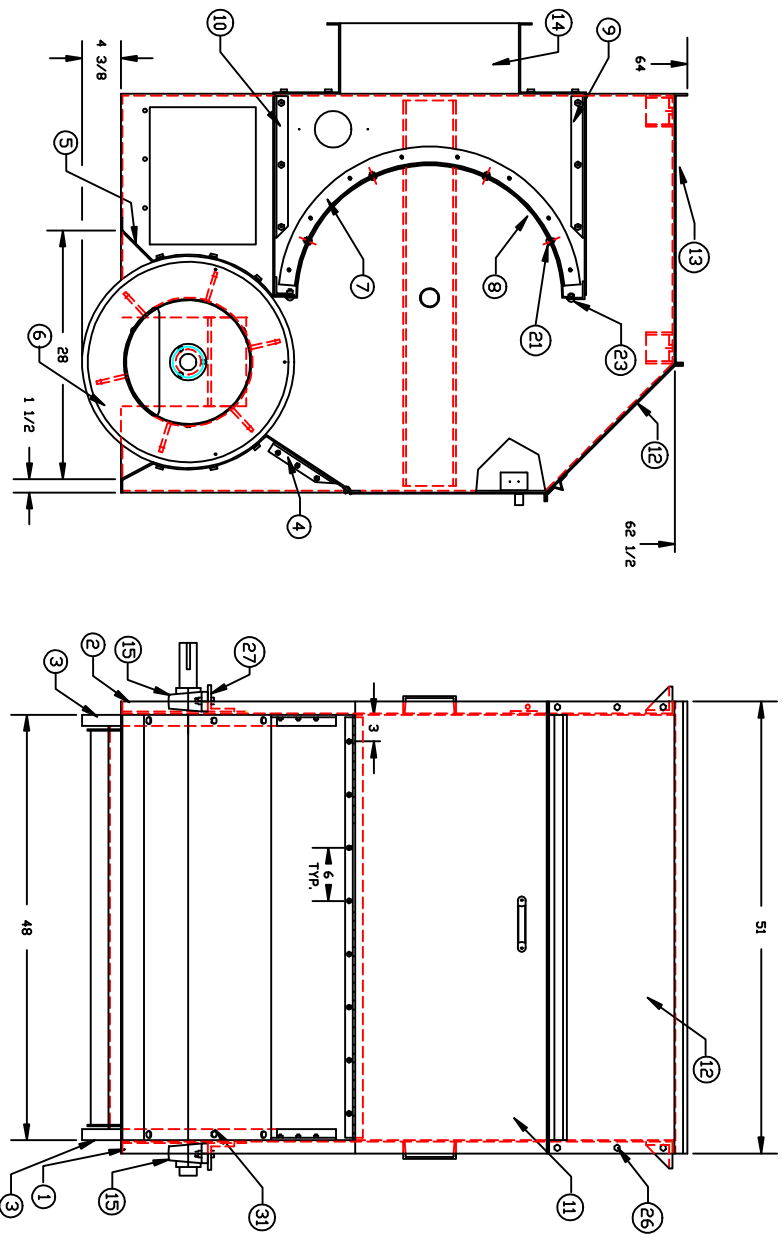
FILE	TOLERANCES UNLESS OTHERWISE SPECIFIED	M.T.L.
DATE	FRACTIONAL & DECIMAL	FRACTION
APP	FRACTIONAL & DECIMAL	FRACTION
DRAWN BY	RCJ	
CHK		
DATE	2-23-94	

FIBER CONTROLS
A FIBER OPTICS CORPORATION
P.O. BOX 399
GROTON, CT. 06340

NAME: HVD-130 X 48"
DIST. W/ SHRUDED DDIFFER

PART NO. AS3000010

PART NO.
S53000369
REV.



ITEM	QTY	PART NO.	DESCRIPTION
34	2	P38600004	1/4 B.S. FLAT WASHER
33	-	---	---
32	2	P38400408	1/4-20X1/2 HH. BOLT
31	18	P38400612	3/8-16X3/4 HH. BOLT
30	4	P38600008	1/2 FLAT WASHER
29	4	P38620008	1/2 LOCK WASHER
28	4	P38500813	1/2-13 HEX NUT
27	4	P38400832	1/2-13X2 HH. BOLT
26	66	P38500420	1/4-20X3/4 HH. CAP SCE.
25	78	P38500420	1/4-20 HEX NUT
24	78	P38620004	1/4 B.S. LOCK WASHER
23	32	P38870412	1/4-20X3/4 BUT. HD. SCR.
22	36	P38580420	1/4-20 LOCK NUT
21	15	P38870408	1/4-20X1/2 BUT. HD. SCR.
20	8	P38500616	3/8-16 LOCK NUT
19	24	P38620006	3/8 LOCK WASHER
18	8	P38870616	3/8-16X1 BUT. HD. SCR.
17	-	---	---
16	-	---	---
15	2	P16000056	BEARING RAK 1 15/16"
14	2	F53000118	BAFFEL END PIECE
13	1	F53000117	TOP COVER
12	1	S53000158	FRONT TOP COVER ASS'Y
11	1	S53000186	DDDR ASSEMBLY
10	1	S53000259	OUTLET COVER ASS'Y
9	1	S53000123	INLET COVER ASS'Y
8	1	F53000310	DIFFER SCREEN
7	2	F53000104	INT. SCREEN CHEEK
6	1	S53000370	EXTERNAL DIFFER ASS'Y
5	1	S53000152	EXTERNAL DIFFER COVER
4	1	S53000153	EXTERNAL DIFFER SLIDE
3	2	F53000319	EXTERNAL DIFFER HEAD
2	1	S53000330	L.H. SIDE PANEL ASS'Y
1	1	S53000329	R.H. SIDE PANEL ASS'Y

LETTER	REVISION	REV. BY	DATE

FILE	TOLERANCES UNLESS OTHERWISE SPECIFIED	UNIT
DATE	FRACTIONAL & DECIMAL	FRACTION
APP.	PROVISION & SCALE 1:1.0	
CHK	DRAWN BY JDM	
	DATE 1-16-95	

FIBER CONTROLS
FIBER OPTIC SYSTEMS CORPORATION
P.O. BOX 288
ROSELAND, N.J. 07068

NAME: HVD-130 X 48
SUB. ASS'Y 48"
MOCH: HVD-130
PART NO.: S53000369