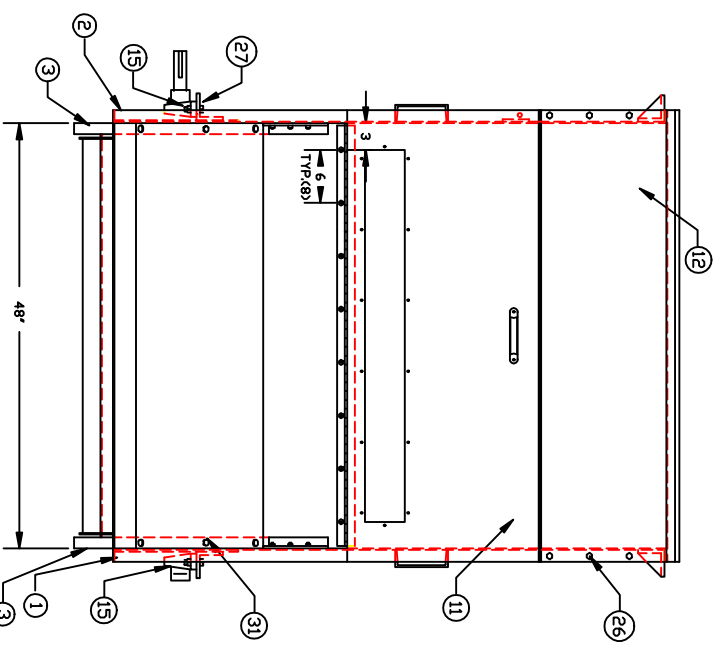
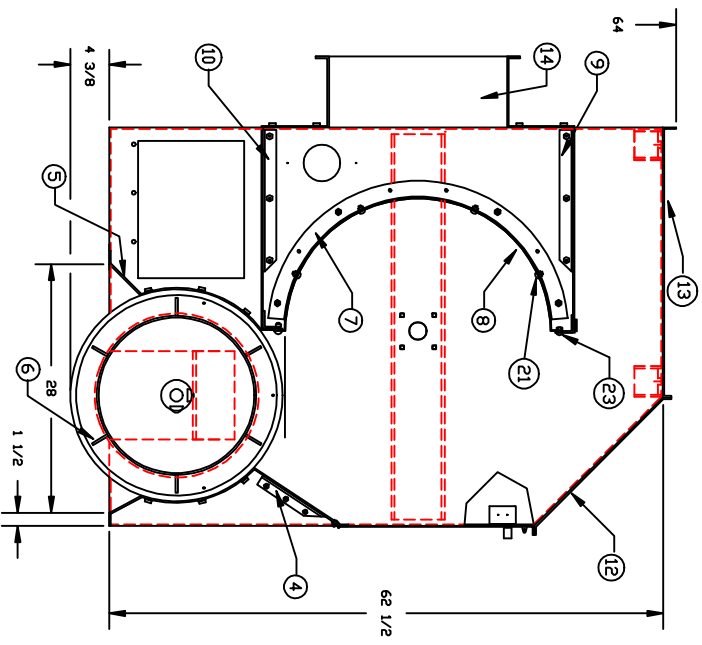


ITEM	REQ'D.	PART NO.	DESCRIPTION
34	1	SS3000361	JUNCTION BDX ASS'Y.
33	2	P35000116	LATCH A1-11-702-20
32	1	P53000385	WINDOW
31	1	F53000384	CLEANOUT DOOR WINDOW FRAME
30	1	F53000300	FRONT MOTOR COVER
29	1	P20000040	Ø1 1 7/16 BORE
28	1	S90000180	BZE6-2RG SW. ASS'Y.
27	6	P38400612	3/8-16X3/4 H.H. BOLT
26	1	P19000016	2B124 SHEAVE
25	1	SS3000190	MOTOR GUARD
24	2	P15000041	BELT B-67
23	1	SS3000299	MOTOR BASE ASS'Y
22	36	P38620004	1/4 LOCK WASHER
21	36	P38600004	1/4 FLAT WASHER
20	16	P38680016	3/8-16 NUT
19	16	P38620006	3/8 LOCK WASHER
18	16	P38600006	3/8 FLAT WASHER
17	36	P384000410	1/4-20X 5/8 H.H. BOLT
16	8	P38040556	3/8-16X3 1/2 CARR. BOLT
15	4	P35000042	SPRING FASTENER
14	2	P16000039	PCJN - 1 7/16 BEARING
13	2	P15000059	BELT B-97
12	2	P20000013	P1-1 1/8 BUSHING
11	2	P19000066	2TB4.2 SHEAVE
10	2	P22000137	MOTOR 2 HP.1800RPM/460V
9	1	P20000054	2S17 1 7/16 BUSHING
8	1	P19000085	2TB20.0 SHEAVE
7	1	F53000135	DRIVE GUARD COVER
6	1	F53000134	DRIVE GUARD
5	6	F52000152	BLADE RETAINER
4	6	F53000161	NEPRENE BLADE
3	2	P50000175	6" PLEXIGLASS COVER
2	1	SS3000412	FLAT DIFFER ASS'Y
1	1	SS3000411	D-130 SUB. ASS'Y

FILE	TOLERANCES UNLESS OTHERWISE SPECIFIED	MTL	<p>FIBER CONTROLS A FIBER OPTICS CORPORATION P.O. BOX 399 GROTON, CT 06340</p>
DRAWN BY	FRACTION & DECIMAL & PERCENT & SURF. 1=1	FRSH	
CHKD	RCI		
DATE	4-29-96		
<p>NAME: D-130 X 48" DIST. W/WINDOW</p>		<p>PART NO. AS3000012</p>	

LETTER REVISION REV BY DATE

PART NO.  
SS3000411  
REV.



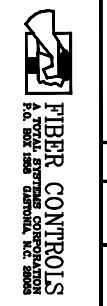
ITEM	QTY	PART NO.	DESCRIPTION
1	1	SS3000175	R.H. SIDE PANEL ASS'Y
2	1	SS3000176	L.H. SIDE PANEL ASS'Y
3	2	F53000148	EXTERNAL DIFFER HEAD
4	1	SS3000153	EXTERNAL DIFFER COVER
5	1	F53000152	EXTERNAL DIFFER COVER
6	1	SS3000154	EXTERNAL DIFFER ASS'Y
7	1	F530000310	DIFFER SCREEN
8	1	F530000310	DIFFER SCREEN
9	1	SS3000123	INLET COVER ASS'Y
10	1	SS3000259	OUTLET COVER ASS'Y
11	1	SS3000410	DOOR ASSEMBLY
12	1	SS3000158	FRONT TOP COVER ASS'Y
13	1	F53000117	TOP COVER
14	2	F53000118	BAFFLE END PIECE
15	2	P16000054	BEARING RAK 1 7/16
16	-	---	---
17	-	---	---
18	8	P38870616	3/8-16X1 BUT. HD. SCR.
19	24	P3862006	3/8 LOCK WASHER
20	8	P38500616	3/8-16 LOCK NUT
21	15	P38870408	1/4-20X1/2 BUT. HD. SCR.
22	36	P38580420	1/4-20 LOCK NUT
23	32	P38870412	1/4-20X3/4 BUT. HD. SCR.
24	78	P38500420	1/4-20 HEX NUT
25	78	P38500420	1/4-20 HEX NUT
26	66	P38400412	1/4-20X3/4 HH. CAP SCE.
27	4	P38400832	1/2-13X2 HH. BOLT
28	4	P38500813	1/2-13 HEX NUT
29	4	P38620008	1/2 LOCK WASHER
30	4	P38600008	1/2 FLAT WASHER
31	18	P38400612	3/8-16X3/4 HH. BOLT
32	2	P38400408	1/4-20X1/2 HH. BOLT
33	-	---	---
34	2	P38600004	1/4 B.S. FLAT WASHER

LETTER	REVISION	REV BY	DATE

FILE	
APP.	
CHK	
DATE	

TOLERANCES UNLESS OTHERWISE SPECIFIED	
FRACTIONS & DECIMALS	1:10
FINISH	
DATE	4-29-96

MTL	
FRSH	



NAME	D-130
SUB. ASS'Y	48"
MOCK	D-130
DATE	
PART NO.	SS3000411