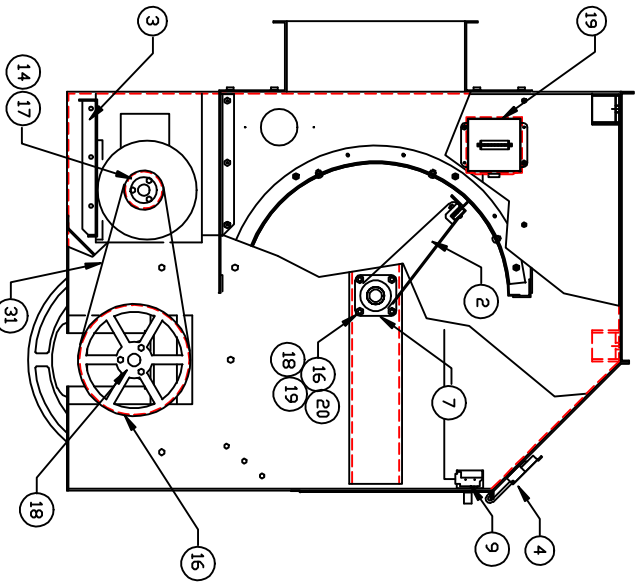
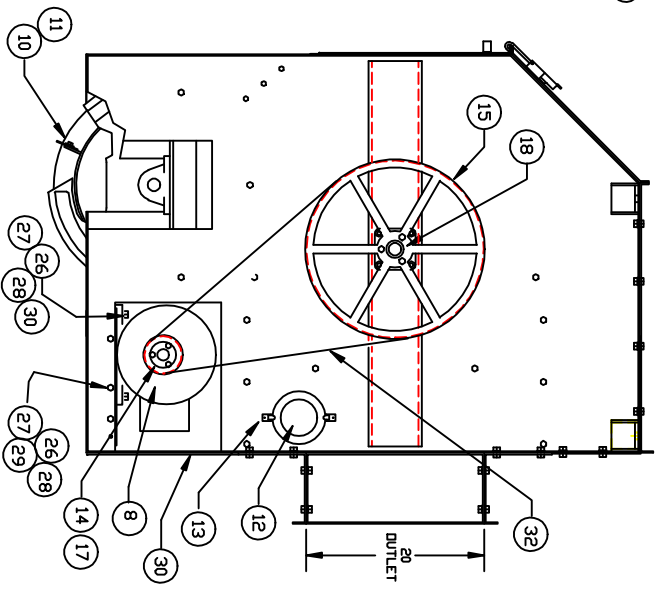
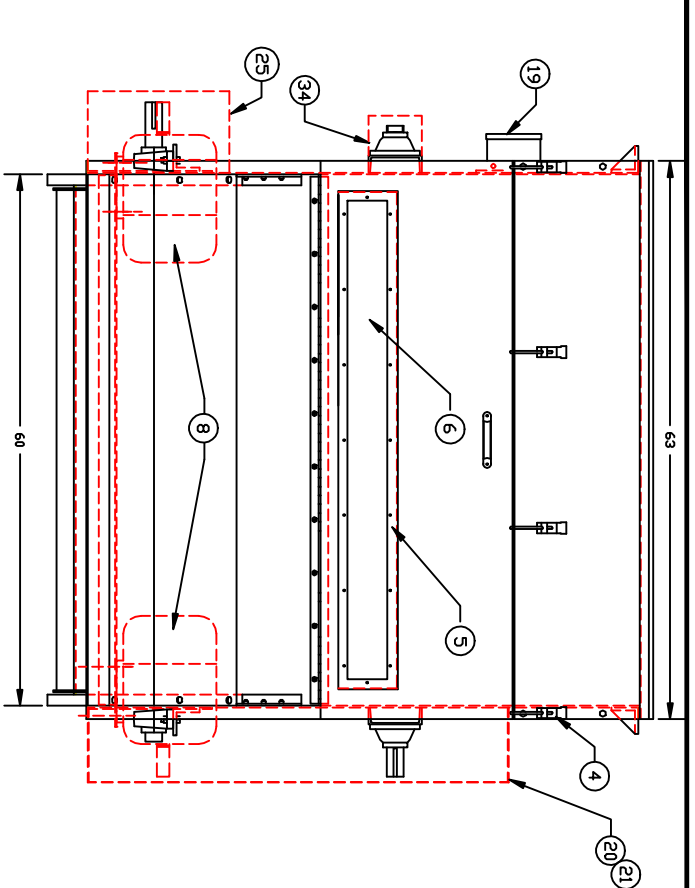


PART NO.  
A53000016  
REV.



ITEM	RECD.	PART NO.	DESCRIPTION
38			
37			
36			
35			
34	1	F53000338	BEARING COVER
33	1	S53000301	FRONT MOTOR COVER
32	2	P15000058	BELT B-95
31	2	P15000041	BELT B-67
30	16	P38400624	3/8-16X1 1/2 H.H. BOLT
29	6	P38400612	3/8-16X3/4 H.H. BOLT
28	16	P38680416	3/8-16 NUT
27	16	P38620006	3/8 LOCK WASHER
26	16	P38600006	3/8 FLAT WASHER

ITEM	RECD.	PART NO.	DESCRIPTION
25	1	S53000190	MOTOR GUARD
24	36	P38400410	1/4-20X 5/8 H.H. BOLT
23	36	P38620004	1/4 LOCK WASHER
22	36	P38600004	1/4 FLAT WASHER
21	1	F53000135	DRIVE GUARD COVER
20	1	F53000134	DRIVE GUARD
19	1	S53000361	JUNCTION BOX
18	2	P20000045	Ø 1 15/16 BUSHING
17	2	P20000016	P 1 3/8 BUSHING
16	1	P19000081	Ø 1 3/8 SHEAVE
15	1	P19000085	Ø 1 3/8 SHEAVE
14	2	P19000066	Ø 1 3/8 SHEAVE
13	4	P35000042	SPRING FASTENER
12	2	P50000175	6" PLEXIGLASS COVER
11	6	F53000444	BLADE RETAINER
10	6	F53000443	NEOPRENE BLADE
9	1	PUS016076	BZE6 2RD SWITCH
8	2	P22000072	3HP@1200RPM MOTOR 575
7	2	P16000060	3HP@1200RPM MOTOR 440
6	1	P53000452	RJ1 15/16 BEARING
5	1	P53000451	3/8" LEXAN WINDOW
4	4	P35000116	WINDOW FRAME
3	1	S53000455	LATCH AI-11-702-20
2	1	S53000435	MOTOR MOUNT ASSY
1	1	S53000434	FLAT DIFFER ASSY
1	1	S53000434	HVD130 SUB ASSY

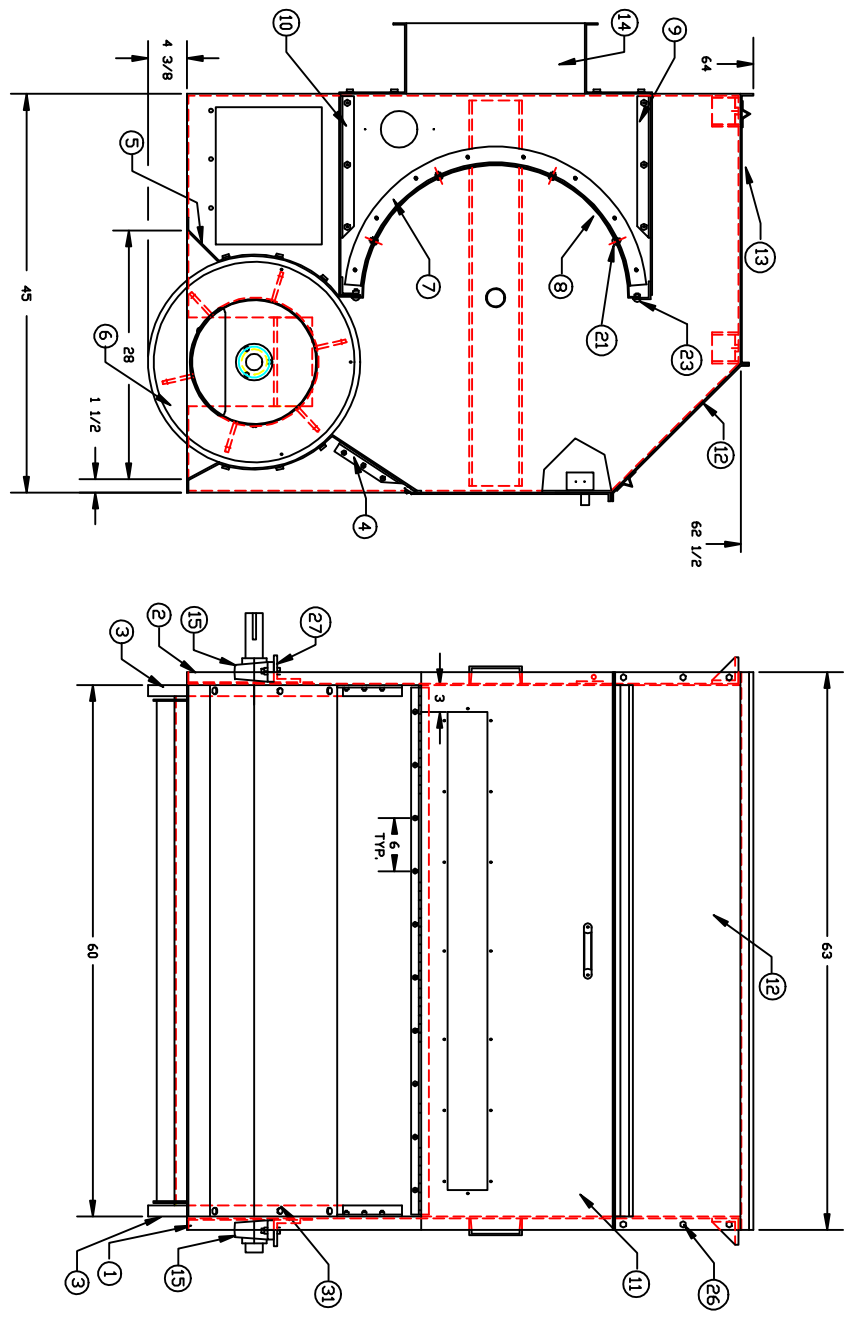
**TOLERANCES UNLESS OTHERWISE SPECIFIED**  
 FRACTIONAL & DECIMAL: 1=1.0  
 DIMENSIONS IN PARENTESIS ARE GOVERNING  
 DATE: 6-12-98  
 DRAWN BY: JDM  
 CHECKED BY: JDM

**FIBER CONTROLS**  
 A DIVISION OF FIBER OPTICS CORPORATION  
 10000 WILSON AVENUE  
 SUITE 100  
 BOSTON, MA 02124

NAME: HVD-130 X 60" ASSY  
 PART NO.: A53000016  
 MOQ: HVD-130  
 MVA

LETTER: REVISION: REV BY: DATE:

PART NO.  
SS3000434  
REV.



ITEM	REQ'D.	PART NO.	DESCRIPTION
1	1	SS3000329	R.H. SIDE PANEL ASS'Y
2	1	SS3000330	L.H. SIDE PANEL ASS'Y
3	2	F53000319	EXTERNAL DIFFER HEAD
4	1	SS3000226	EXTERNAL DIFFER COVER
5	1	F53000230	EXTERNAL DIFFER COVER
6	1	SS3000446	EXTERNAL DIFFER ASS'Y
7	2	F53000104	INT. SCREEN CHECK
8	1	F53000457	DIFFER SCREEN 3/16DN/4 ST/C
9	1	SS3000236	INLET COVER ASS'Y
10	1	SS3000238	OUTLET COVER ASS'Y
11	1	SS3000447	DDDR ASSEMBLY
12	1	SS3000240	FRONT TOP COVER ASS'Y
13	1	SS3000448	TOP COVER ASS'Y
14	2	F53000118	BAFFEL END PIECE
15	2	P16000056	BEARING RAK 1 15/16"
16	-	---	---
17	-	---	---
18	8	P38870616	3/8-16X1 BUT. HD. SCR.
19	24	P38620006	3/8 LOCK WASHER
20	8	P38500616	3/8-16 LOCK NUT
21	15	P38870408	1/4-20X1/2 BUT. HD. SCR.
22	36	P38580420	1/4-20 LOCK NUT
23	32	P38870412	1/4-20X3/4 BUT. HD. SCR.
24	78	P38620004	1/4 B.S. LOCK WASHER
25	78	P38500420	1/4-20 HEX NUT
26	66	P38400412	1/4-20X3/4 H.H. CAP SCE.
27	4	P38400832	1/2-13X2 H.H. BOLT
28	4	P38500813	1/2-13 HEX NUT
29	4	P38620008	1/2 LOCK WASHER
30	4	P38600008	1/2 FLAT WASHER
31	18	P38400612	3/8-16X3/4 H.H. BOLT
32	2	P38400408	1/4-20X1/2 H.H. BOLT
33	-	---	---
34	2	P38600004	1/4 B.S. FLAT WASHER

FILE	TOLERANCES UNLESS OTHERWISE SPECIFIED
DATE	FRACTIONAL & DECIMAL
APP.	MINOR & MAJOR
CHK.	SCALE 1:1.0
DES.	DRAWN BY JDM
	DATE 6-12-98

**FIBER CONTROLS**  
FIBER OPTIC SENSORS CORPORATION  
P.O. BOX 288  
GROTON, CT 06340

NAME	HVD-130 X 60
SUB.	ASS'Y 60"
MOQ.	HVD-130
MA	SS3000434

LETTER REVISION REV BY DATE