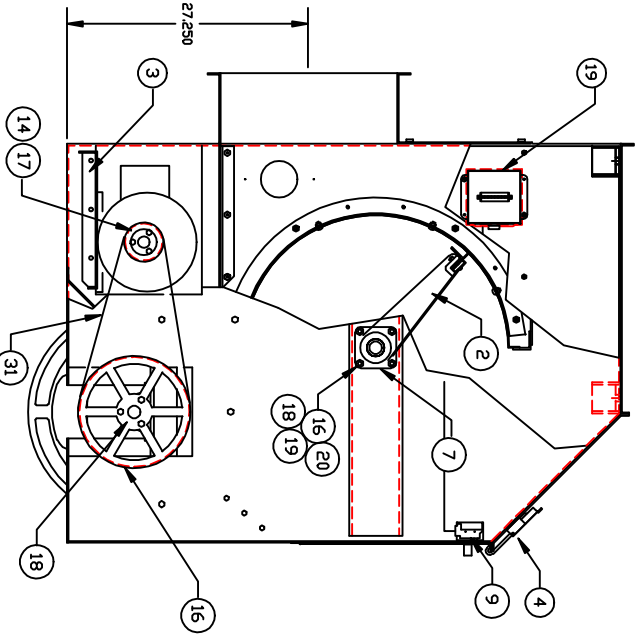
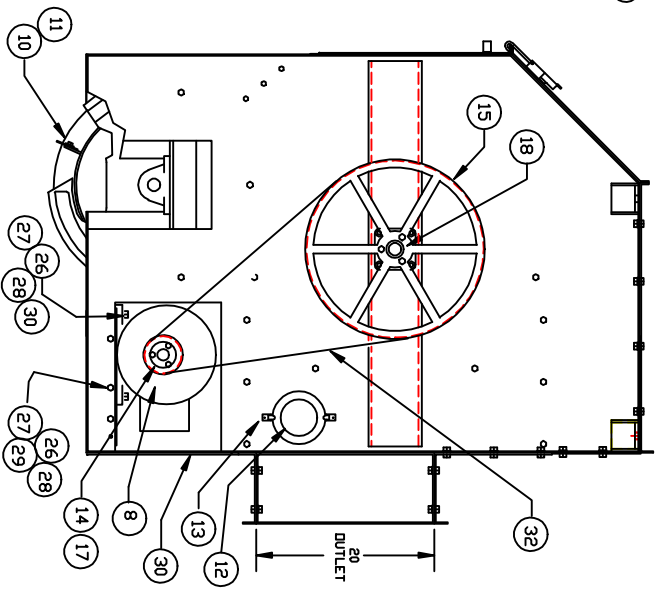
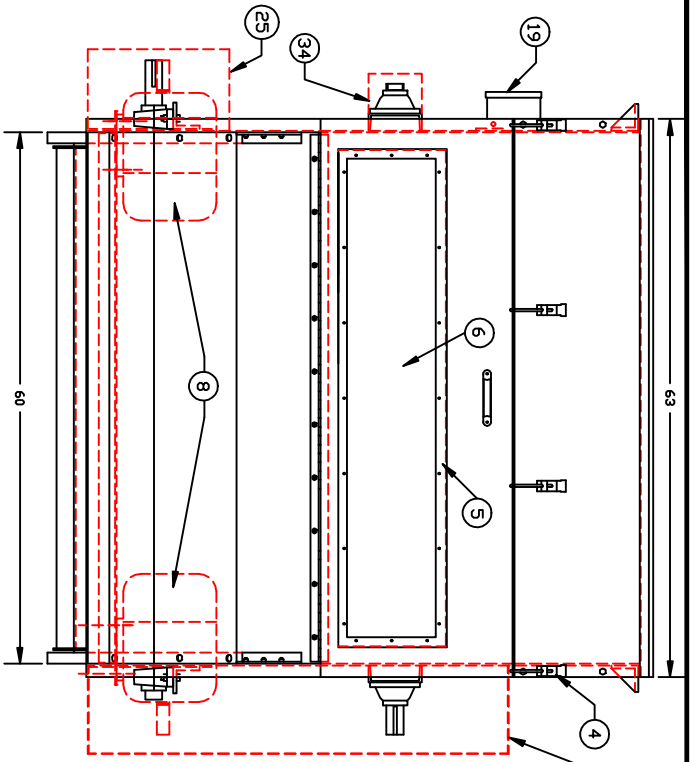


PART NO. A53000017  
REV.



ITEM	RECD.	PART NO.	DESCRIPTION
38			
37			
36			
35			
34		SS3000338	BEARING COVER
33		F53000301	FRONT MOTOR COVER
32		P15000059	BELT B-97
31		P15000041	BELT B-67
30		P38400624	3/8-16X1 1/2 H.H. BOLT
29		P38400612	3/8-16X3/4 H.H. BOLT
28		P38680416	3/8-16 NUT
27		P38620006	3/8 LOCK WASHER
26		P38600006	3/8 FLAT WASHER

ITEM	RECD.	PART NO.	DESCRIPTION
25		SS3000504	MOTOR GUARD
24		P38400410	1/4-20X 5/8 H.H. BOLT
23		P38620004	1/4 LOCK WASHER
22		P38600004	1/4 FLAT WASHER
21		SS3000471	DRIVE GUARD COVER
20		SS3000488	DRIVE GUARD
19		SS3000361	JUNCTION BOX
18		P20000045	Q 1 15/16 BUSHING
17		P20000016	P 1 3/8 BUSHING
16		P19000081	2TB124 SHEAVE
15		P19000085	2TB200 SHEAVE
14		P19000066	2TB42 SHEAVE
13		P35000042	SPRING FASTENER
12		P50000175	6' PLEXIGLASS COVER
11		F53000444	BLADE RETAINER
10		F53000443	NEOPRENE BLADE
9		PUS016076	BZE6 2RG SWITCH
8		P22000279	2HP@90RPM MOTOR 460
7		P16000060	RCL 1 15/16 BEARING
6		P53000469	3/8' LEXAN WINDOW
5		F53000468	WINDOW FRAME
4		P35000116	LATCH AI-11-702-20
3		SS3000455	MOTOR MOUNT ASSY
2		SS3000472	FLAT DIFFER ASSY
1		SS3000465	HVD130 SUB ASSY

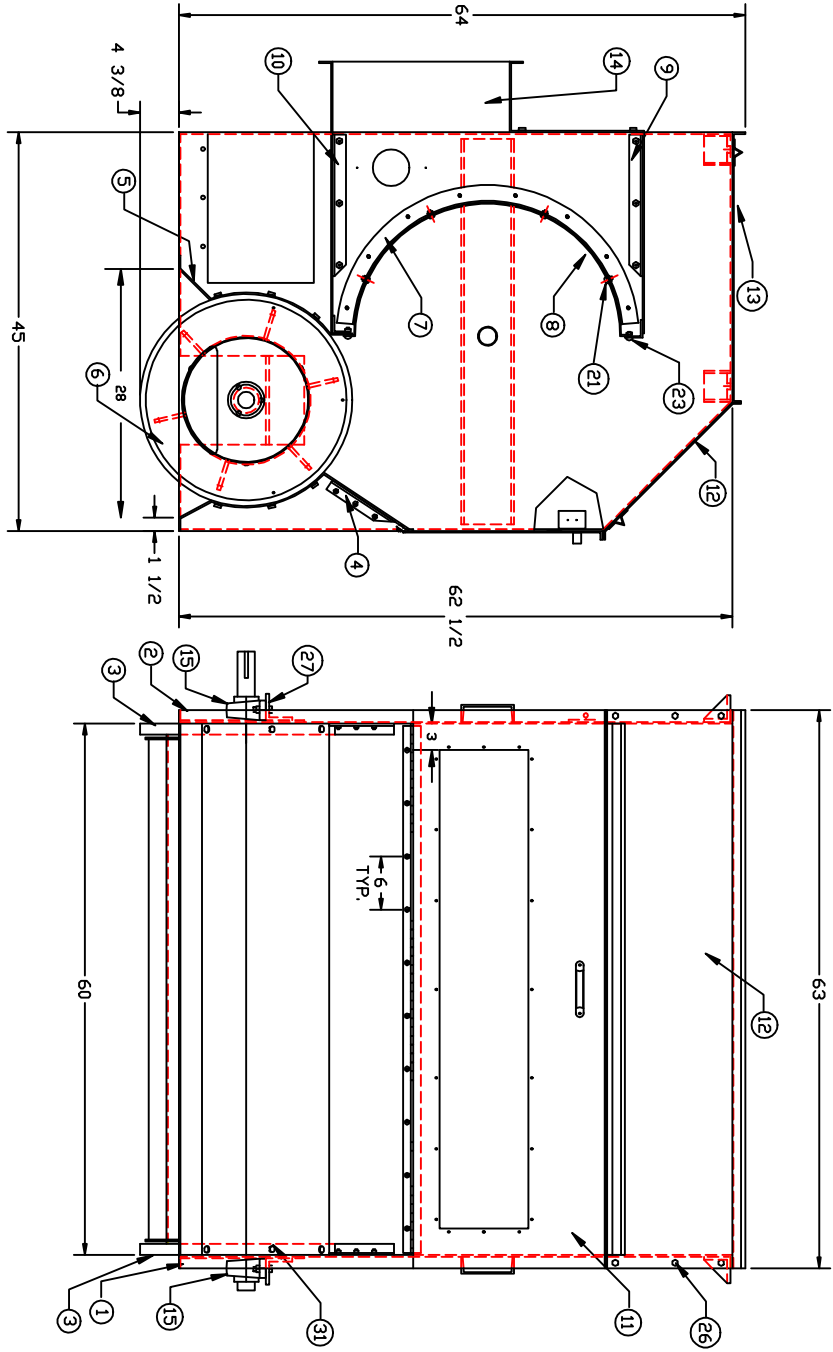
**TOLERANCES UNLESS OTHERWISE SPECIFIED**  
FRACTIONS & DECIMALS: AS SHOWN  
DIMENSIONS: 1:1=1:10  
DRAWN BY: JDM  
DATE: MAR 1-22-99

**FIBER CONTROLS**  
A DIVISION OF FIBER OPTICS CORPORATION  
P.O. BOX 2899  
GROTON, CT 06340

NAME: HVD-130 X 60"  
ASSY (DSPREV)  
MOCK: HVD-130  
PART NO. A53000017

LETTER REVISION REV BY DATE

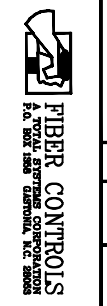
PART NO.  
S53000465  
REV.



ITEM	QTY	PART NO.	DESCRIPTION
1	1	S53000329	R.H. SIDE PANEL ASS'Y
2	1	S53000330	L.H. SIDE PANEL ASS'Y
3	2	F53000319	EXTERNAL DIFFER HEAD
4	1	F53000226	EXTERNAL DIFFER SLIDE
5	1	F53000230	EXTERNAL DIFFER COVER
6	1	S53000446	EXTERNAL DIFFER ASS'Y
7	2	F53000104	INT. SCREEN CHEEK
8	1	F53000232	DIFFER SCREEN/BDN3/16ST/1C
9	1	S53000463	INLET COVER ASS'Y
10	1	S53000461	OUTLET COVER ASS'Y
11	1	S53000466	DDDR ASSEMBLY
12	1	S53000240	FRONT TOP COVER ASS'Y
13	1	S53000448	TOP COVER ASS'Y
14	2	F53000118	BAFFEL END PIECE
15	2	P16000056	BEARING RAK 1 15/16"
16	-	---	---
17	-	---	---
18	8	P38870616	3/8-16X1 BUT. HD. SCR.
19	24	P38620006	3/8 LOCK WASHER
20	8	P38500616	3/8-16 LOCK NUT
21	15	P38870408	1/4-20X1/2 BUT. HD. SCR.
22	36	P38580420	1/4-20 LOCK NUT
23	32	P38870412	1/4-20X3/4 BUT. HD. SCR.
24	78	P38620004	1/4 B.S. LOCK WASHER
25	66	P38500420	1/4-20 HEX NUT
26	66	P38400412	1/4-20X3/4 HH. CAP SCE.
27	4	P38400832	1/2-13X2 HH. BOLT
28	4	P38500813	1/2-13 HEX NUT
29	4	P38620008	1/2 LOCK WASHER
30	4	P38600008	1/2 FLAT WASHER
31	18	P38400612	3/8-16X3/4 HH. BOLT
32	2	P38400408	1/4-20X1/2 HH. BOLT
33	-	---	---
34	2	P38600004	1/4 B.S. FLAT WASHER

LETTER	REVISION	REV. BY	DATE

FILE	TOLERANCES UNLESS OTHERWISE SPECIFIED
DATE	FRACTIONAL & DECIMAL
APP.	MINOR & MAJOR
CHK.	SCALE 1:1.0
DES.	DRAWN BY JDM
	DATE 6-12-98



NAME	HVD-130 X 60
SUB.	ASS'Y 60" (DSPREY)
MOQ.	HVD-130
MA	PART NO. S53000465