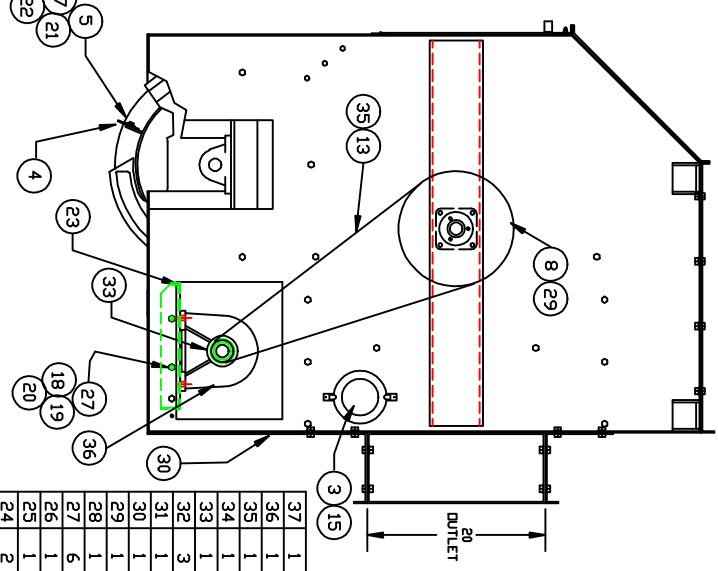
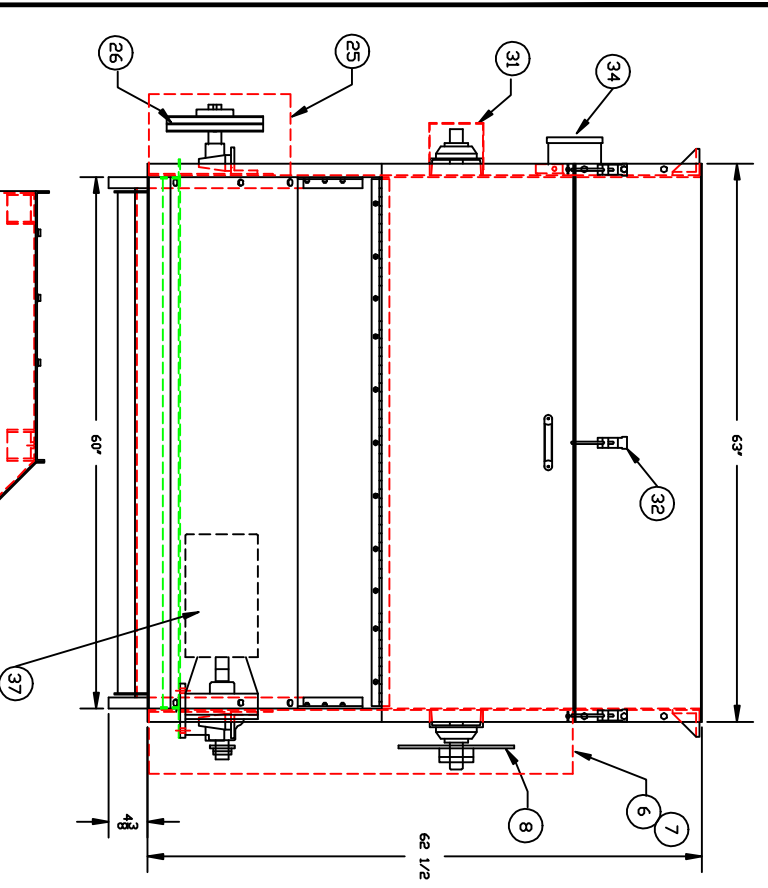
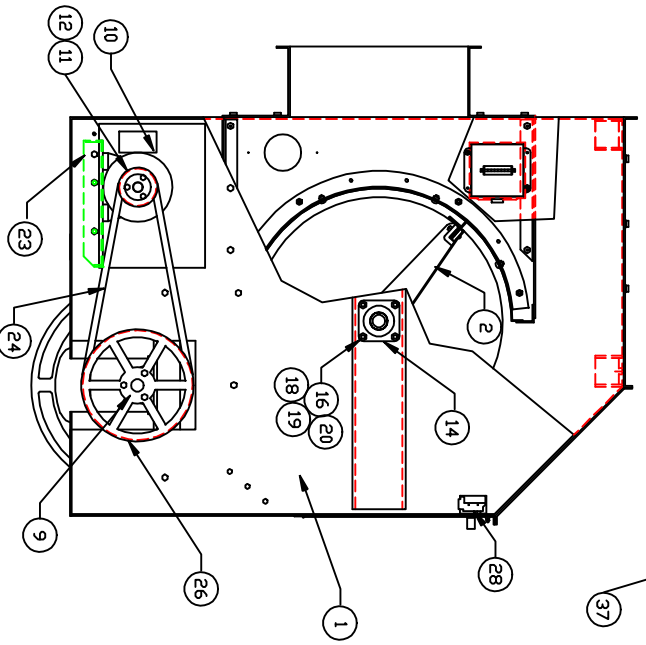


PART NO. AS3000018  
REV.



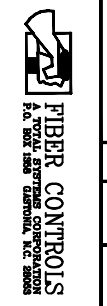
ITEM	REQ'D.	PART NO.	DESCRIPTION
37	1	P22000280	IHP 1800RPM 490V MOTOR
36	1	P22000232	CYCLD 4110 871 GEAR BOX
35	1	P17000001	#40 CDNN LINK
34	1	S53000361	JUNCTION BOX
33	1	P18000137	40B18 SPRK.1 1/2 BORE
32	3	S53000116	LATCH AI-11-702-20
31	1	S53000338	BEARING/SHAFT GUARD
30	1	F53000301	FRONT MOTOR COVER
29	1	P20000108	SK 1 7/16 BORE QD BUSHING
28	1	S90000180	SAFETY SWITCH ASSY
27	6	P38400612	3/8-16X3/4 HH. BOLT
26	1	P19000016	2B124 SHEAVE
25	1	S53000190	MOTOR GUARD
24	2	P15000041	BELT B-67
23	1	S53000474	MOTOR BASE ASSY
22	36	P38620004	1/4 LOCK WASHER
21	36	P38600004	1/4 FLAT WASHER
20	16	P38680416	3/8-16 NUT
19	16	P38620006	3/8 LOCK WASHER
18	16	P38600006	3/8 FLAT WASHER
17	36	P38400410	1/4-20X 5/8 HH. BOLT
16	8	P38040556	3/8-16X3 1/2 CARR. BOLT
15	4	P35000042	SPRING FASTNER
14	2	P16000039	PCJN - 1 7/16 BEARING
13	6-0"	P17000006	#40 CHAIN
12	1	P20000013	P1-1 1/8 BUSHING
11	1	P19000066	2TB4.2 SHEAVE
10	1	P22000137	MOTOR 2 HP.1800RPM/460V
9	1	P20000054	2517 1 7/16 BUSHING
8	1	P18000180	40SK80 QD SPRK. MARTIN
7	1	F53000135	DRIVE GUARD COVER
6	1	F53000134	DRIVE GUARD
5	6	F52000365	BLADE RETAINER
4	6	F53000246	NEPRENE BLADE
3	2	P50000175	6" PLEXIGLASS COVER
2	1	S53000306	FLAT DIFFER ASSY
1	1	S53000244	D-130 SUB. ASSY



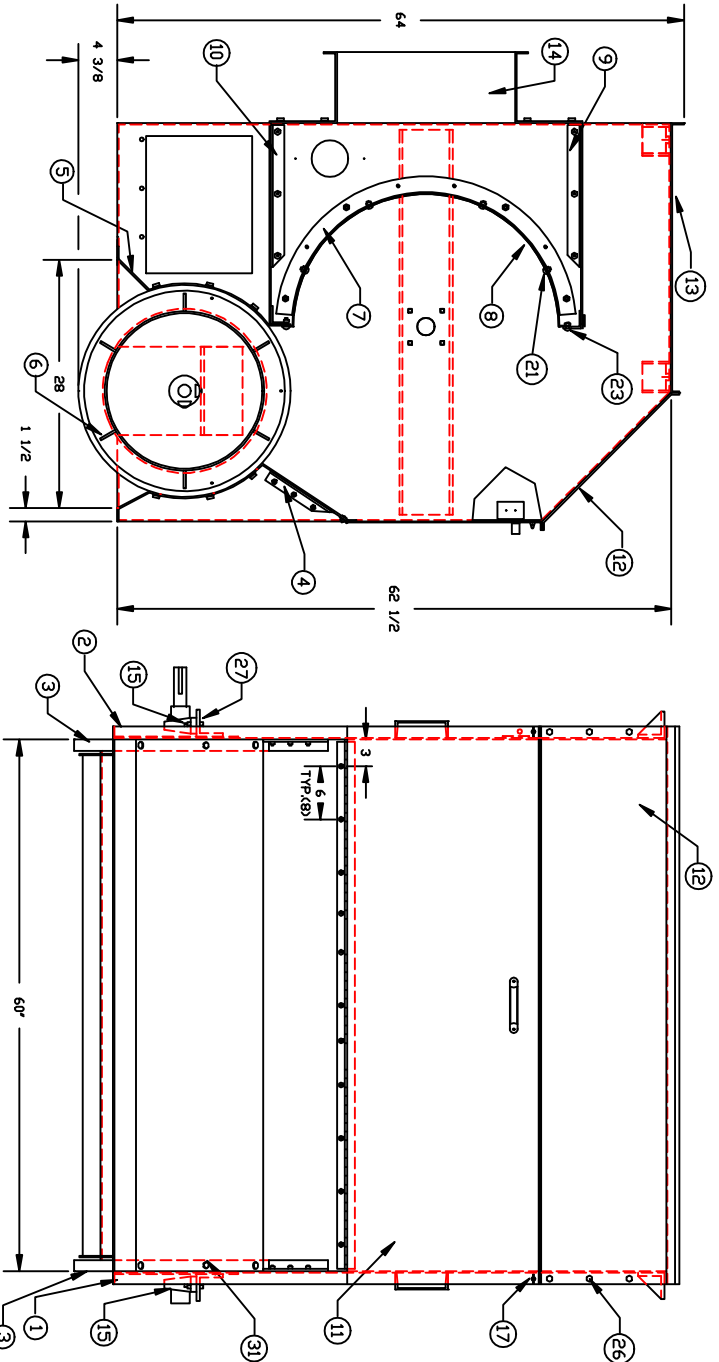
LETTER	REVISION	REV BY	DATE

FILE	TOLERANCES UNLESS OTHERWISE SPECIFIED
DATE	FRACTIONAL & DECIMALS
APP	MINOR & MAJOR
CHK	SCALE 1=1
DES	DRAWN BY JIM
	DATE 2-4-99

WTL  
FIBER CONTROLS



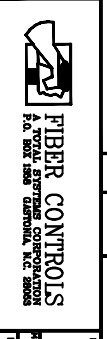
NAME	D-130 X 60"
DIST. W/ SHRUDED DOFFER	
PART NO.	AS3000018



ITEM	QTY	PART NO.	DESCRIPTION
34	2	P38600004	1/4 B.S. FLAT WASHER
33	-	---	---
32	2	P38400408	1/4-20X1/2 HH. BOLT
31	18	P38400612	3/8-16X3/4 HH. BOLT
30	4	P38600008	1/2 FLAT WASHER
29	4	P38620008	1/2 LOCK WASHER
28	4	P38500813	1/2-13 HEX NUT
27	4	P38400832	1/2-13X2 HH. BOLT
26	66	P38400412	1/4-20X3/4 HH. CAP SCE.
25	78	P38500420	1/4-20 HEX NUT
24	32	P38870412	1/4 B.S. LOCK WASHER
23	36	P38580420	1/4-20 LOCK NUT
22	15	P38870408	1/4-20X1/2 BUT. HD. SCR.
21	8	P38500616	3/8-16 LOCK NUT
20	24	P38620006	3/8 LOCK WASHER
19	8	P38870616	3/8-16X1 BUT. HD. SCR.
18	2	P38470420	1/4-20 WING NUT
17	-	---	---
16	2	P16000054	BEARING RAK 1 7/16
15	2	F53000118	BAFFEL END PIECE
14	1	F53000235	TOP COVER
13	1	F53000240	FRONT TOP COVER ASS'Y
12	1	F53000238	DOOR ASSEMBLY
11	1	F53000236	INLET COVER ASS'Y
10	1	F53000104	INT. SCREEN CHECK
9	1	F53000241	EXTERNAL DIFFER ASS'Y
8	1	F53000230	EXTERNAL DIFFER COVER
7	1	F53000226	EXTERNAL DIFFER SLIDE
6	1	P53000176	EXTERNAL DIFFER HEAD
5	1	S53000175	L.H. SIDE PANEL ASS'Y
4	1	S53000175	R.H. SIDE PANEL ASS'Y

FILE  
DATE  
REV. BY  
DATE

TOLERANCES UNLESS OTHERWISE SPECIFIED  
FRACTIONS & DECIMALS  
DIMENSIONS BY RCL  
DATE 6-1-92



NAME: D-130  
SUB. ASS'Y 60"  
PART NO. S53000244