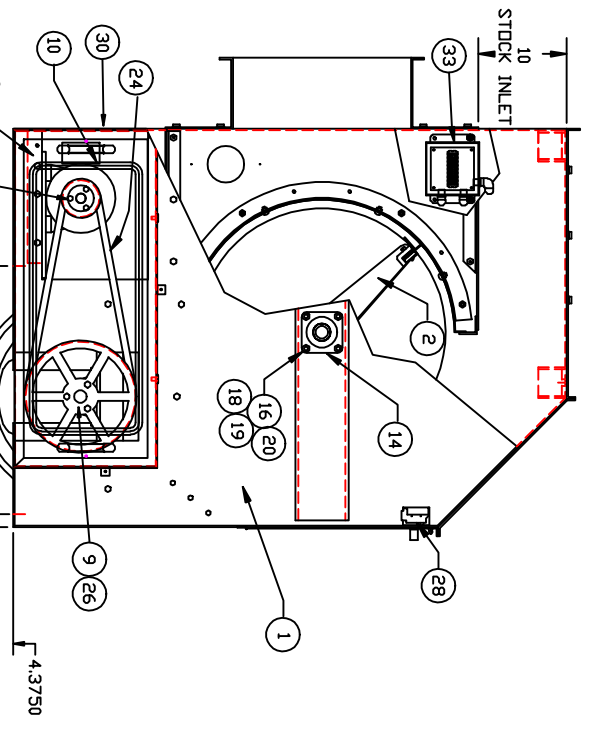
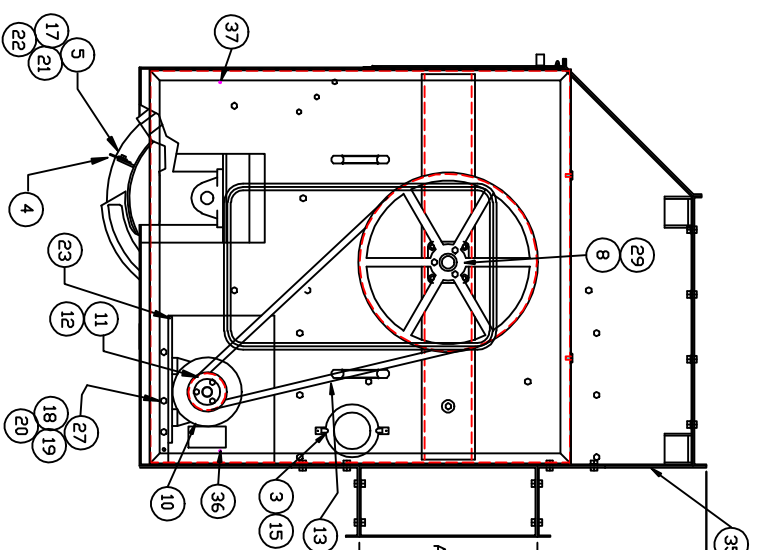
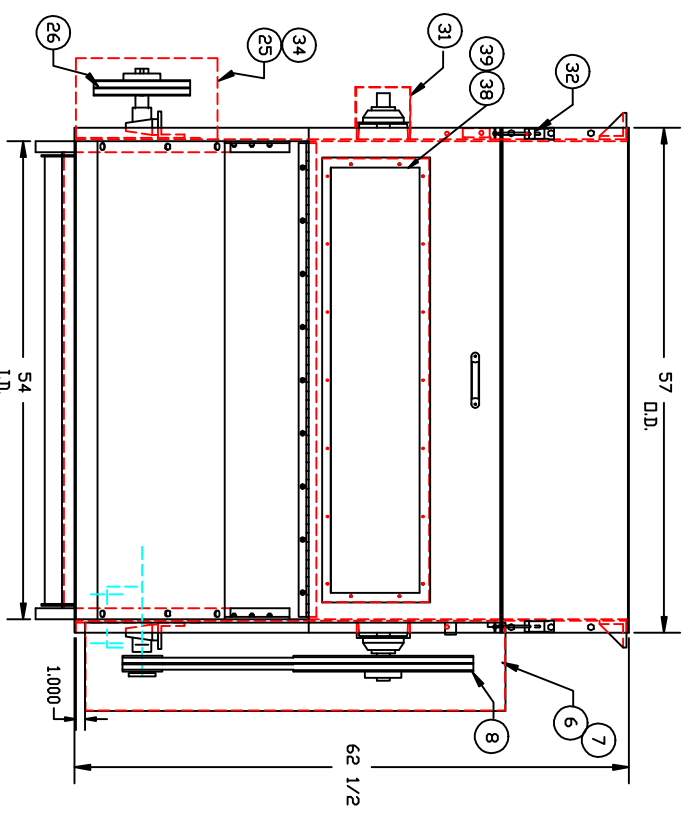


PART NO. AS3000031
REV.



NOTE:
THIS IS A
STANDARD
D-130 X 54"
WITH NEW GUARDS

ITEM	QTY	REPR.	PART NO.	DESCRIPTION
1	1		SS3000640	D-130 SUB. ASS'Y
2	1		P15000059	BELT B-97
3	2		P20000013	P1-1 1/8 BUSHING
4	2		P19000066	2TB4.2 SHEAVE
5	1		P22000137	MOTOR 2 HP, 1200RPM/460V
6	1		P20000054	2S17 1 7/16 BUSHING
7	1		P19000085	2TB20.0 SHEAVE
8	1		P19000018	DRIVE GUARD COVER
9	1		F53000488	DRIVE GUARD
10	1		F52000153	BLADE RETAINER
11	4		F52000190	NEPRENE BLADE
12	2		P50000175	6" PLEXIGLASS COVER
13	2		SS3000305	FLAT DIFFER ASS'Y
14	1		SS3000640	D-130 SUB. ASS'Y
15	1		P38620006	3/8 LOCK WASHER
16	16		P386800416	3/8-16 NUT
17	36		P384000410	1/4-20X 5/8 H.H. BOLT
18	16		P38600006	3/8 FLAT WASHER
19	16		P38620006	3/8 LOCK WASHER
20	16		P386800416	3/8-16 NUT
21	36		P38600004	1/4 FLAT WASHER
22	36		P38620004	1/4 LOCK WASHER
23	1		SS3000294	MOTOR BASE ASS'Y
24	2		P15000041	BELT B-67
25	1		SS3000554	MOTOR GUARD
26	1		P19000016	2B124 SHEAVE
27	6		P384000612	3/8-16X3/4 H.H. BOLT
28	1		S90000180	BZE6-RRQ MICRO SW. ASS'Y
29	1		P20000040	Ø1 7/16 BORE
30	1		F530002295	FRONT MOTOR COVER
31	1		SS3000338	BEARING/SHAFT GUARD
32	2		P33000116	LATCH AI-11-702-20
33	1		SS3000361	JUNCTION BDX
34	1		SS3000563	MOTOR GUARD COVER
35	1		F53000646	FILL IN
36	2		P35000129	RH DDDR LATCH
37	2		P35000128	LH DDDR LATCH
38	1		F53000644	WINDOW FRAME
39	1		P53000645	WINDOW
40	2		F53000663	FILL IN SIDE

FIBER CONTROLS
FIBER OPTIC SENSORS, COMPENSATION
F.A. 500 5000 (SERIALS, KIT, 50000)

FILE: TOLERANCES UNLESS OTHERWISE SPECIFIED
FRACTION & DECIMAL: 1=1
DIM: 12-19-00
DATE: 12-19-00
DRAWN BY: JIM
CHK: JIM

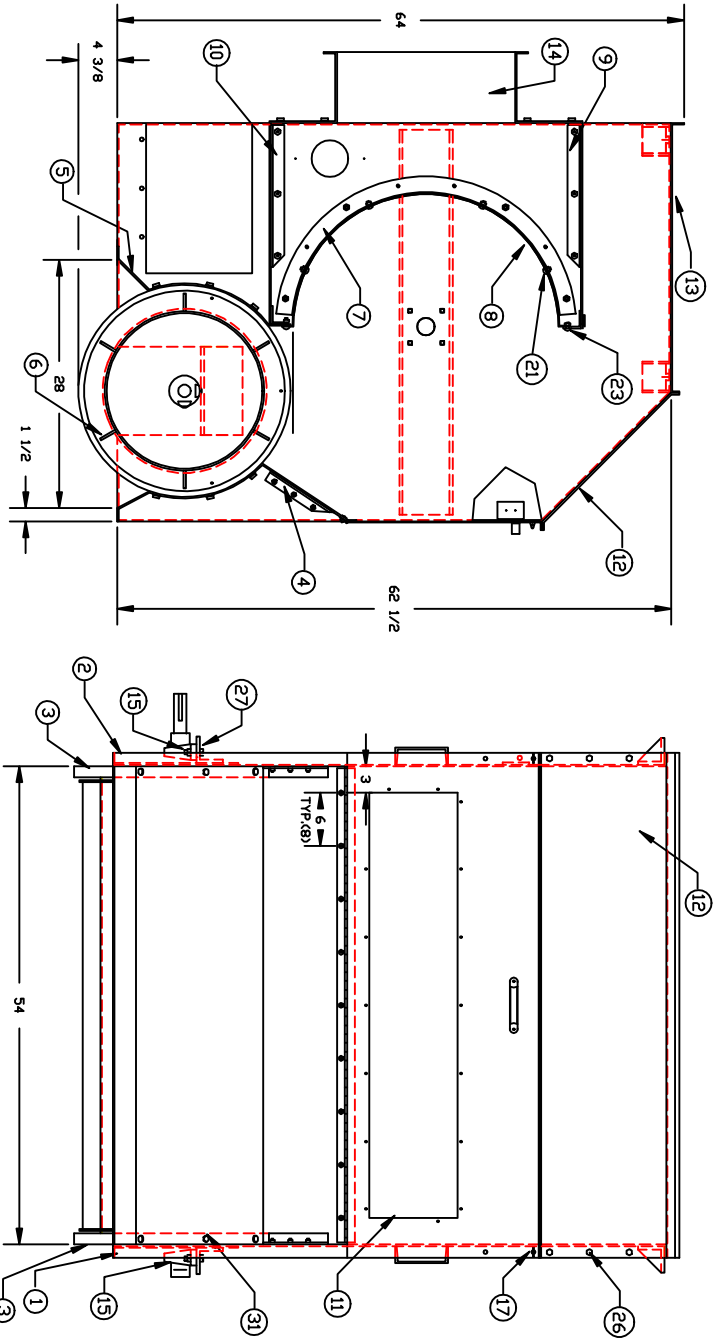
WTL: FINISH

NAME: D-130 X 54'
DIST. W/ SHRUDED DOFFER

PART NO. AS3000031

LETTER	REVISION	REV BY	DATE

PART NO.
S53000640
REV.



ITEM	QTY	PART NO.	DESCRIPTION
1	1	S53000175	R.H. SIDE PANEL ASS'Y
2	1	S53000176	L.H. SIDE PANEL ASS'Y
3	2	F53000148	EXTERNAL DIFFER HEAD
4	1	S53000204	EXTERNAL DIFFER SLIDE
5	1	F53000203	EXTERNAL DIFFER COVER
6	1	S53000195	EXTERNAL DIFFER ASS'Y
7	2	F53000104	INT. SCREEN CHECK
8	1	F53000207	DIFFER SCREEN
9	1	S53000208	INLET COVER ASS'Y
10	1	S53000220	OUTLET COVER ASS'Y
11	1	S53000496	DDDR ASSEMBLY
12	1	S53000215	FRONT TOP COVER ASS'Y
13	1	F53000210	TOP COVER
14	2	F53000118	BAFFEL END PIECE
15	2	P16000054	BEARING RAK 1 7/16
16	-	---	---
17	2	P38470420	1/4-20 WING NUT
18	8	P38870616	3/8-16X1 BUT. HD. SCR.
19	24	P38620006	3/8 LOCK WASHER
20	8	P38500616	3/8-16 LOCK NUT
21	15	P38870408	1/4-20X1/2 BUT. HD. SCR.
22	36	P38580420	1/4-20 LOCK NUT
23	32	P38870412	1/4-20X3/4 BUT. HD. SCR.
24	78	P38620004	1/4 B.S. LOCK WASHER
25	78	P38500420	1/4-20 HEX NUT
26	66	P38400412	1/4-20X3/4 H.H. CAP SCE.
27	4	P38400832	1/2-13X2 H.H. BOLT
28	4	P38500813	1/2-13 HEX NUT
29	4	P38620008	1/2 LOCK WASHER
30	4	P38600008	1/2 FLAT WASHER
31	18	P38400612	3/8-16X3/4 H.H. BOLT
32	2	P38400408	1/4-20X1/2 H.H. BOLT
33	-	---	---
34	2	P38600004	1/4 B.S. FLAT WASHER

LETTER	REVISION	REV BY	DATE

FILE	TOLERANCES UNLESS OTHERWISE SPECIFIED
DATE	FRACTIONAL & DECIMAL
APP	MINIMUM & SCALE 1:1=1.0
DES	DRAWN BY JDM
COA	CHKD 12-19-00



NAME	D-130 x 54"
SUB.	ASS'Y
MOQ	A53000031
MA	S53000640